



DESIGNED  
IN EUROPE



## The all-purpose solution for your business

- **Double position:** Electronic display in two positions.
- **Double tare:** Normal and permanent.
- **Security:** Blocked keyboard for avoiding function modifications.
- **Flash memory:** Keeps the last weighing on screen.
- **GLP-GMP:** Function date, hour and ticket number (optional RS232C).
- **Wireless:** Suitable for use with printers and wireless remote displays, without cable.
- **USB Direct:** Data can be sent to PC without software (optional).



► **Adaptable**

Stainless steel AISI 304 platforms and plates in four sizes. Adaptable for any kind of application.



► **Protected**

Created for intensive hard use and protected from liquids and dusty environments. Its smooth surface with soft edges makes it easy to clean.



► **Double display position**

The Z3 indicator can be fixed on either of the two sides, and can be adapted to the available work area.



► **DSF technology**

Innovative is the adjective for the DSF filter integrated into our ZMissil, as it blocks any disturbance or vibration, meaning that the display shows the real weight at all times.

► **Wireless, 100% reliable**

A cable directly connects the display to the platforms without an adapter, providing more reliability and durability.



► **Printing of results**

Optional connection to our printers with or without cable (wireless). Our PR6 printer automatically cuts the paper. It prints three lines at the top and one at the bottom of the ticket, including our Z3 THS software for entering data from the PC.

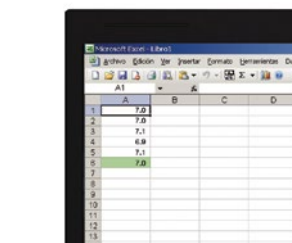
Connects to our remote display with a cable or wireless.



► **USB Direct: just what you have always wanted**

Our cable connecting the ZMissil scale to your PC or MAC shows the weighing data in any application or document you have installed.

No middleman software, no installation: simple and effective.



► **Support table**

We have designed these support tables to make installation simple. Made on steel with epoxy covering.

It has no lower base, making it easy to clean. Includes guides for fixing the base and preventing the platform from moving.

Height can be adapted from 52 to 84 cm. Wheels optional.



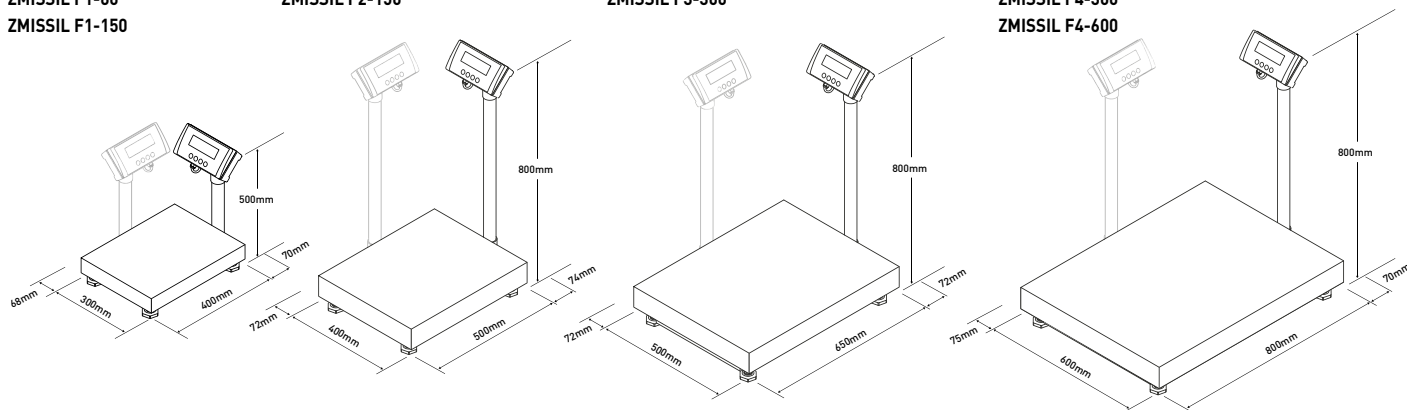
External dimensions (mm)

ZMISSIL F1-30  
ZMISSIL F1-60  
ZMISSIL F1-150

ZMISSIL F2-60  
ZMISSIL F2-150

ZMISSIL F3-150  
ZMISSIL F3-300

ZMISSIL F4-150  
ZMISSIL F4-300  
ZMISSIL F4-600



Model	ZMISSIL F1-30	ZMISSIL F1-60	ZMISSIL F1-150	ZMISSIL F2-60	ZMISSIL F2-150	ZMISSIL F3-150	ZMISSIL F3-300	ZMISSIL F4-150	ZMISSIL F4-300	ZMISSIL F4-600
Reference	70175	70176	70177	70178	70179	70181	70182	70183	70184	70185
Capacity	30 kg	60 kg	150 kg	60 kg	150 kg	150 kg	300 kg	150 kg	300 kg	600 kg
Readability	5 g	10 g	20 g	10 g	20 g	20 g	50 g	20 g	50 g	100 g
Weighing Units	g, kg, lb, oz									
Display	LCD / Five digits 25 mm (height of digits)									
Acoustic Warning	Yes									
Connectivity	RS-232C, wireless (optional)									
Speed Transmission	9.600 / 19.200 / 38.400 / 57.600 bauds									
Number of Bits and Inequality	8 bits, inequality, 1 bit stop									
Supply	230 V adapter / 50 Hz (euro) 7.5 V 1A									
Battery	6V-1.2Ah - 30 / 60 hours operation time									
Working Temperature	+5°C / +35°C									
External Dim platform (mm)	400 x 300 x 102		500 x 400 x 122		650 x 500 x 145		800 x 600 x 145			
External Dim Pos. 1 (mm)	470 x 300 x 500		574 x 400 x 800		722 x 500 x 800		870 x 600 x 800			
External Dim Pos. 2 (mm)	400 x 368 x 500		500 x 472 x 800		650 x 572 x 800		800 x 675 x 800			
Net Weight Total (kg)	8,5		10,5		22,7		32,5			
Dim. Packaging (mm)	675 x 440 x 130		600 x 800 x 150		950 x 700 x 180		1100 x 800 x 180			
Total Weight with Packaging (kg)	10		12,5		26,7		37,5			
MSRP (€)	---		---		---		---			

Ref.	Accessories	MSRP (€)
70322	Sack weighing support RF-2 stainless steel for F2	---
70323	Sack weighing support RF-3 stainless steel for F3	---
70324	Support table for F1 platform	---
60968	Support table for F2 platform	---
5263	Support table for F3 platform	---
6950	Wheel set for platform or table	---
70034	Repeater indicator RD3 (RS-232)	---
70035	Repeater indicator RD3W (wireless)	---
70036	PR4 printer (RS-232)	---
70037	PR4W printer (wireless)	---
4877	PR6 printer (RS-232)	---
70046	PR6W printer (wireless)	---
70047	Virtual key software for PC	---
36786	USB direct Z cable	---
36785	RS-232 cable to RD3 or PC Z, 1.5 m	---
3774	RS-232 cable to RD3 or PC Z, 4 m	---
36784	RS-232 cable for printer Z	---

Ref.	Options	MSRP (€)
8023	ISOCAL certificate from 0,01 g to 30 kg	---
8024	ISOCAL certificate from 31 kg to 300 kg	---
8025	ISOCAL certificate from 301 kg to 600 kg	---
3777	RS-232 output	---
3775	Wireless Z connection	---

More information

Product Data:



Quick Guide:



User's manual:



<http://gram-group.com/product/gram-zmissil/>  
[http://gram-group.com/wp-content/uploads/2017/02/GR\\_ZMISSIL\\_ENG.pdf](http://gram-group.com/wp-content/uploads/2017/02/GR_ZMISSIL_ENG.pdf)  
[http://gram-group.com/wp-content/uploads/2016/12/MANUAL\\_Z3\\_2016\\_ENG\\_001.pdf](http://gram-group.com/wp-content/uploads/2016/12/MANUAL_Z3_2016_ENG_001.pdf)